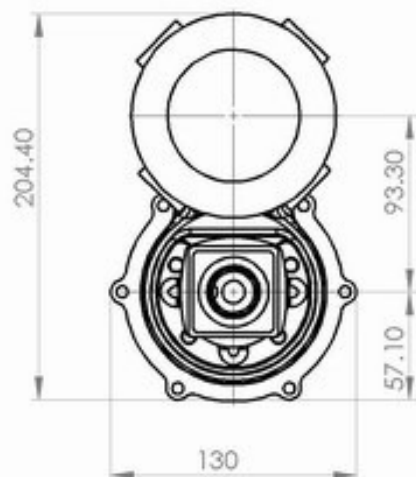
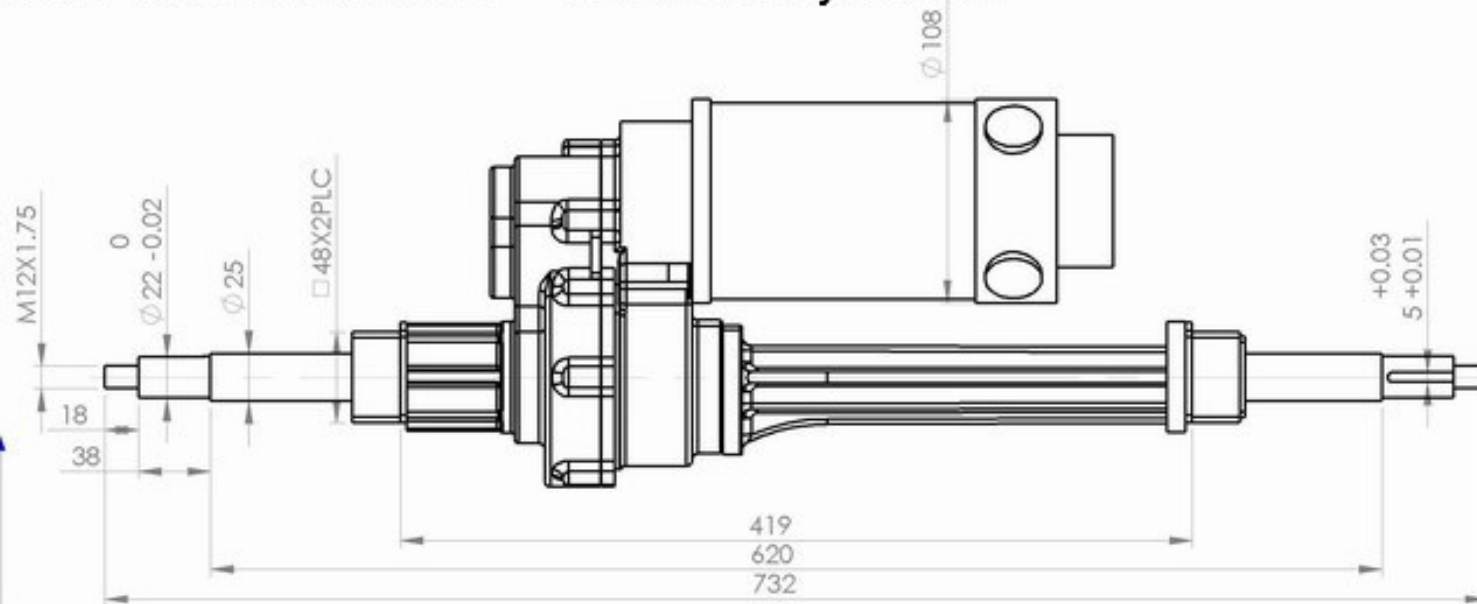


Motor Y08E000A für Transportsysteme und Elektrofahrzeuge

Consysta Automation AG - www.consysta.ch



1. Shaft and tube can be modify

NO	Gear Ratio	Wheel	Brake	Motor	Speed
1	17	13"	8N-m	600-750w	20KM
2	22	8"	8N-m	600-750w	20KM

NOTE	Date	Material	Unit	Scale
Draw NO. KY11-Gearbox17(PRIDE001)	2008-11-01	<input checked="" type="checkbox"/>	mm	1: 4
		Drawn	CHK'D	APP'VD
		Chen		