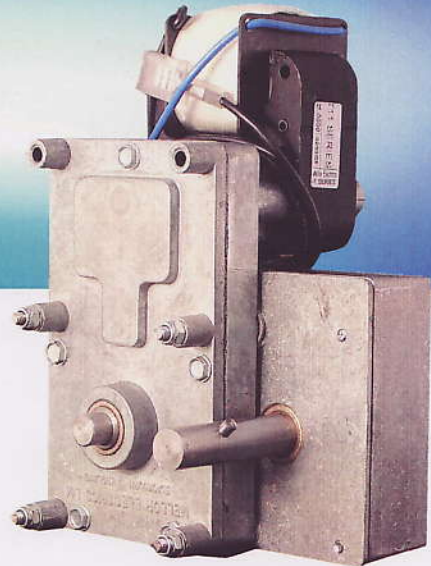


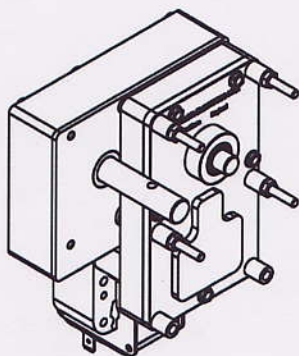
# contraves drives



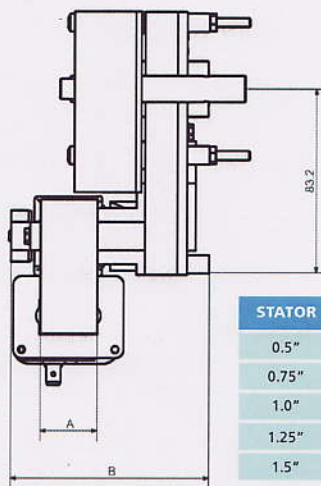
## HT/HTD T11 Series High Torque Unit

- Available in AC and DC versions
- Output Torque: Up to 50Nm depending on speed and motor size
- Speed Range: 0.35 - 5rpm

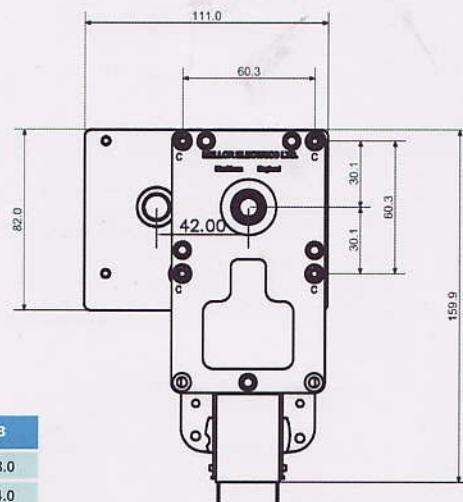
The FB/FBD T3 can be fitted with an additional external gearbox. This produces a unit that can give extremely slow rpm and very high torque. High quality engineering ensures quiet running and a long running life.



HT T11 Series

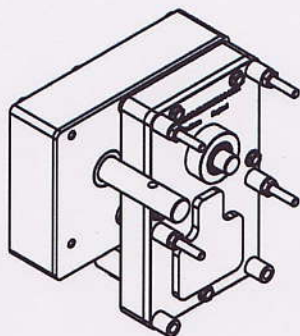


STATOR	A	B
0.5"	13.0	78.0
0.75"	19.0	84.0
1.0"	25.0	90.0
1.25"	32.0	97.0
1.5"	38.0	103.0

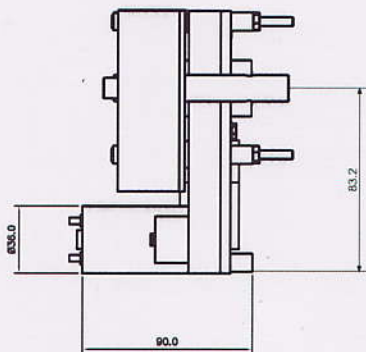


4 mounting positions (C)  
M4 thread

Applicable to all models



HTD T11 Series



### SCHWEIZ

Consysta Automation AG  
Pumpwerkstr 23  
CH-8105 Regensdorf  
Switzerland

Tel +41 (0) 44 840 16 31  
Fax +41 (0) 44 840 16 62

info@contraves-drives.com

### DEUTSCHLAND / WORLD

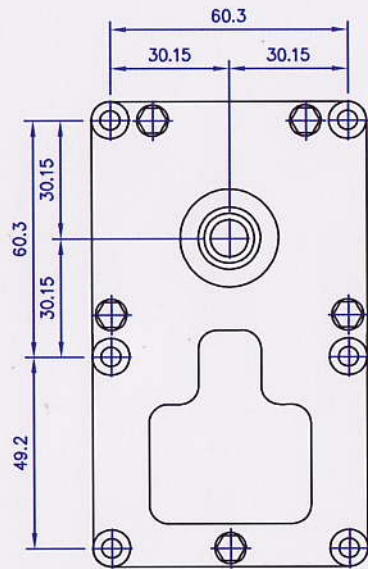
Consysta Automation GmbH  
Am Sägewerk 23a  
D-55124 Mainz-Gonsenheim  
Germany

Tel +49 (0) 6131 9469 0  
Fax +49 (0) 6131 9469 13

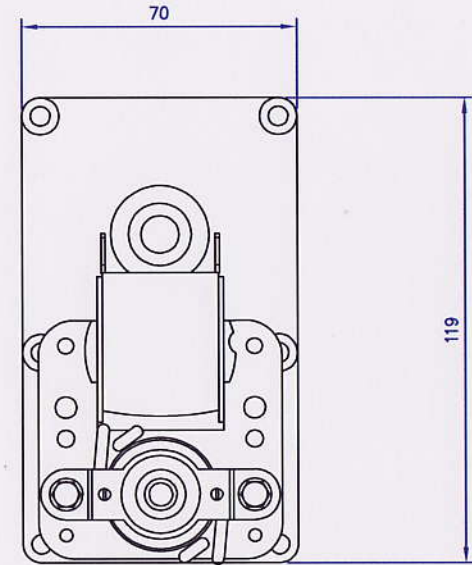
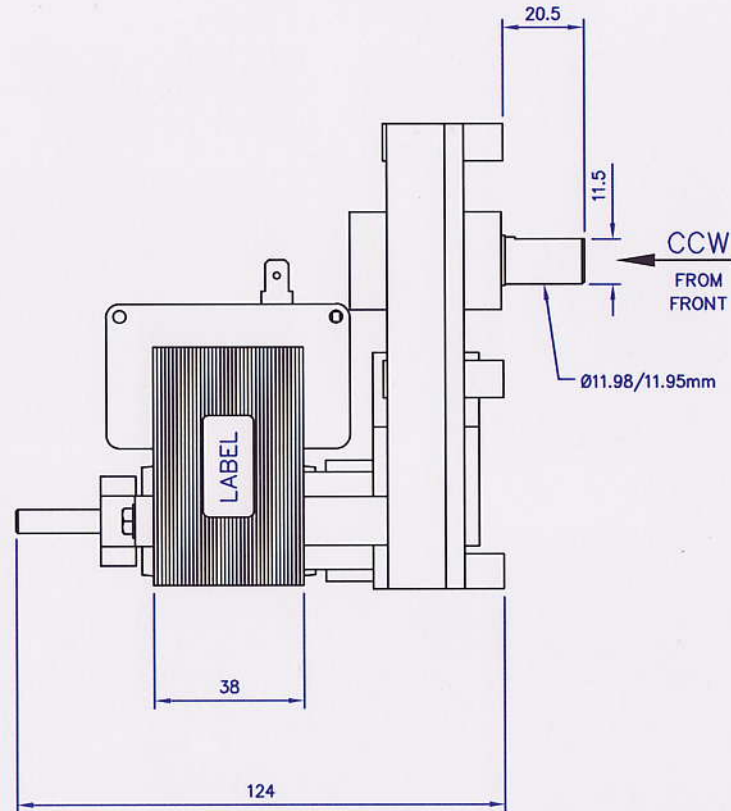
info@contraves-drives.com

contraves drives

230V 50Hz 5.3rpm  
PLASTIC SHAFT 2 GEARWHEEL  
125° THERMOSTAT  
SUPPLIED WITH 1.75" FAN



MOUNTING HOLES  
TAPPED M5  
6 POSITIONS



INPUT POWER - 59 WATTS  
CURRENT RUNNING - 0.515Amps  
CURRENT STALLED - 0.82 Amps  
OUTPUT TORQUE - 250Kg/cm  
TEMP. RISE FROM AMBIENT 35.6°C

TECHNICAL DATA

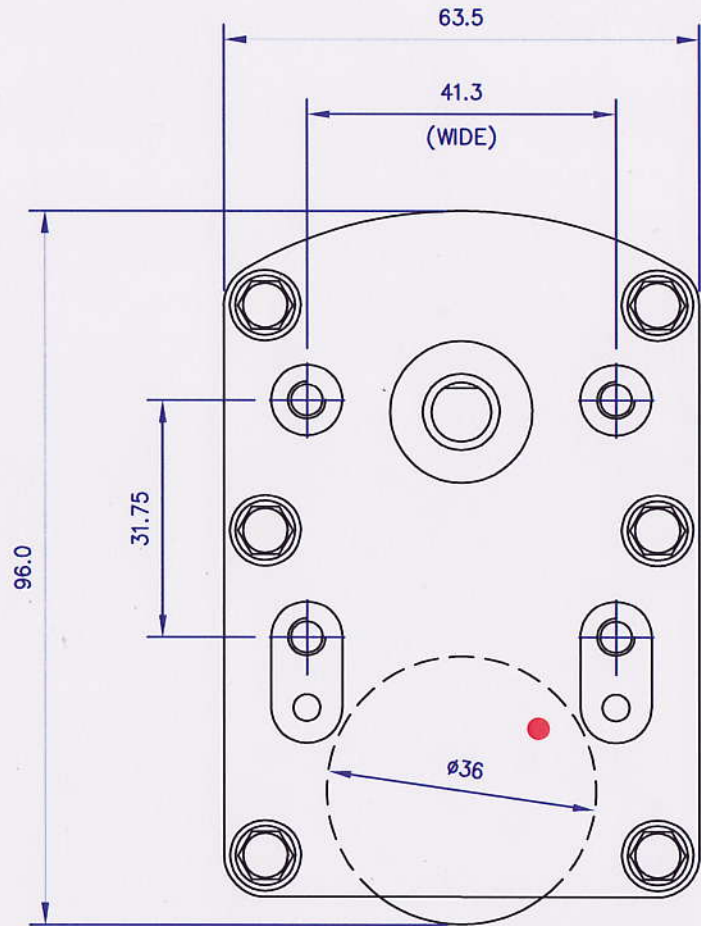
24v DC 555 SERIES MOTOR  
OUTPUT SPEED @ 24v DC 80rpm

INPUT POWER @24v DC  
2.36 WATTS

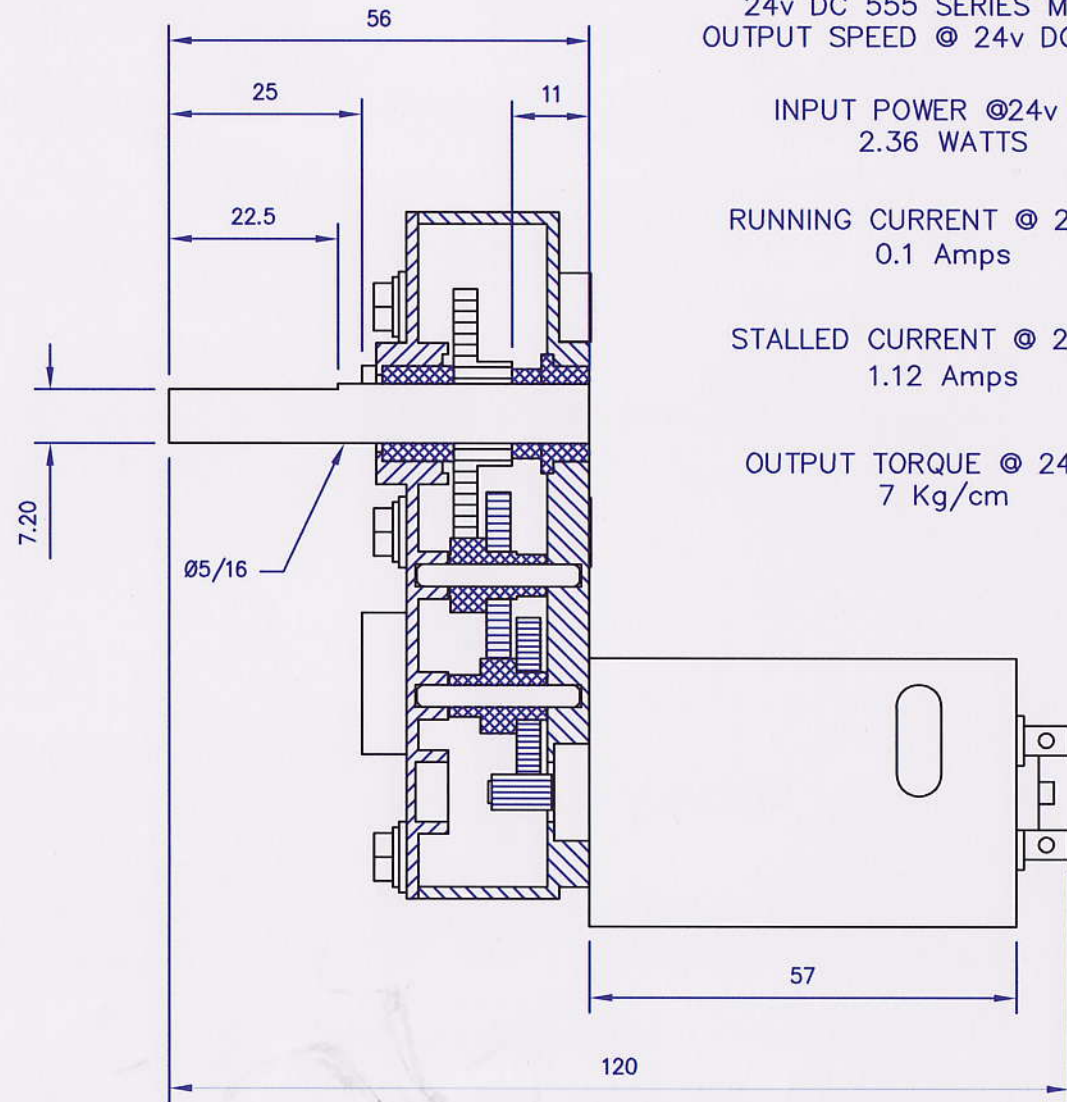
RUNNING CURRENT @ 24v DC  
0.1 Amps

STALLED CURRENT @ 24v DC  
1.12 Amps

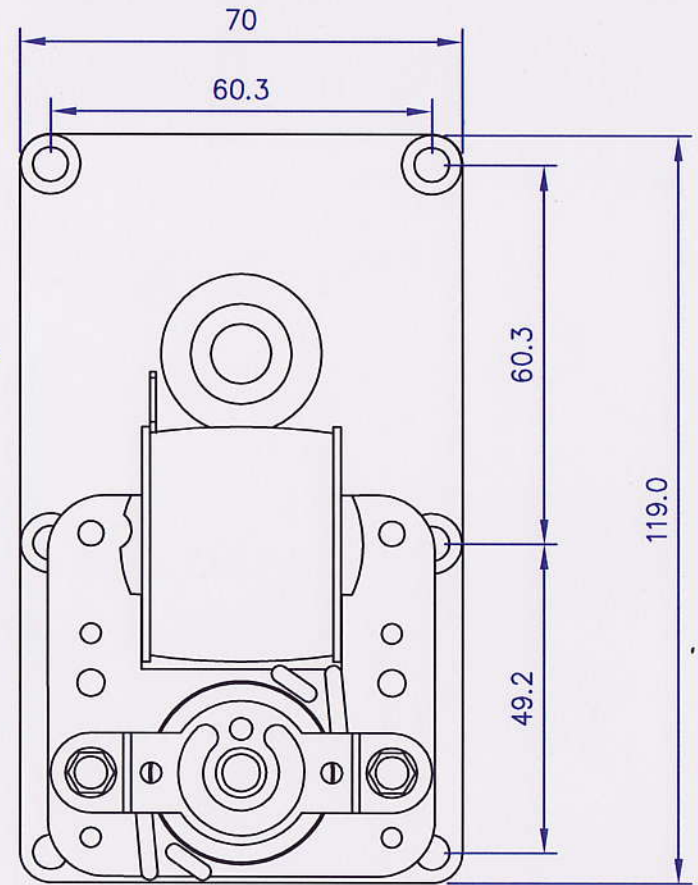
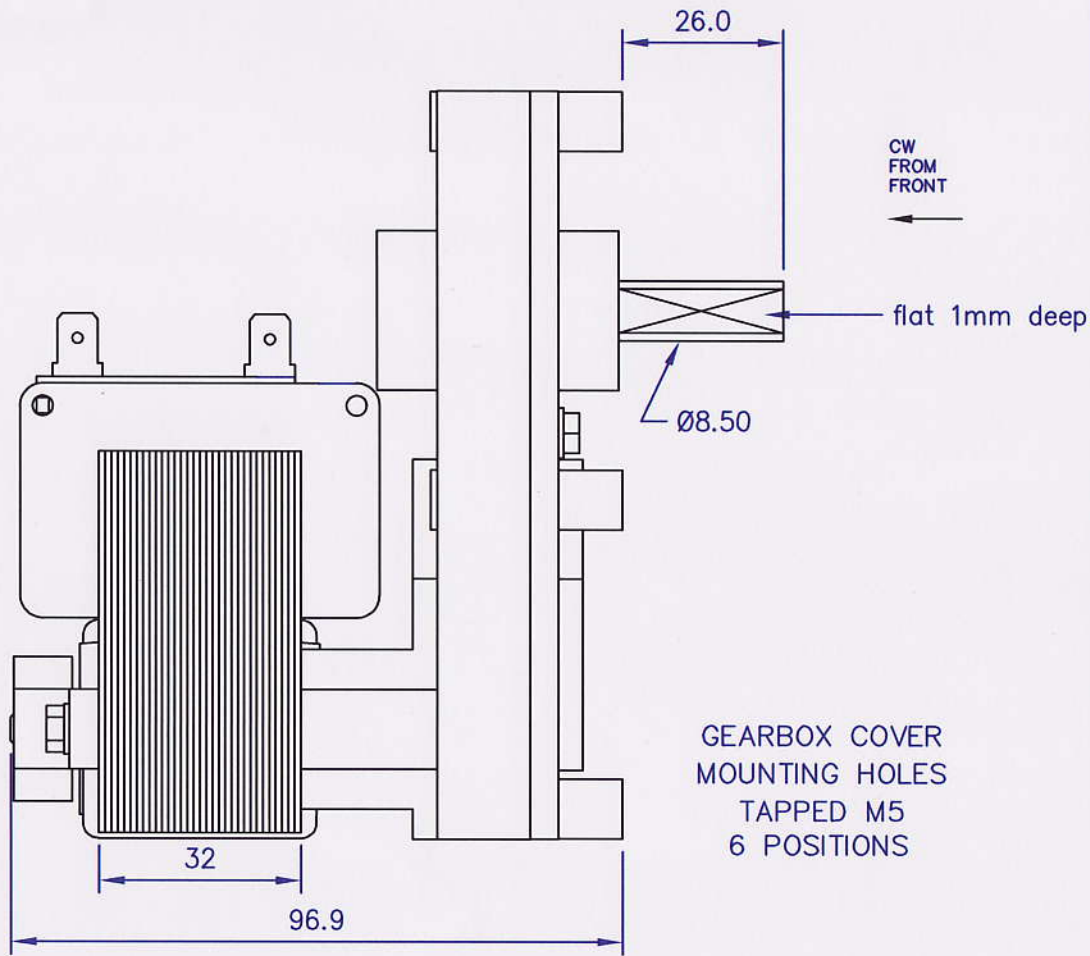
OUTPUT TORQUE @ 24v DC  
7 Kg/cm



GEARBOX COVER  
MOUNTING HOLES  
TAPPED M5  
4 POSITIONS







TECHNICAL INFORMATION

INPUT POWER – 28 WATTS

VOLTAGE – 230v

CURRENT/RUNNING – 0.2Amps

CURRENT/STALLED – 0.344Amps

OUTPUT TORQUE – 232Kg/cm

HELICAL INPUT

DELRIN SHAFT 2 WHEEL

NOISE REDUCING GREASE

125° THERMOSTAT

GLASS CLOTH TAPE

INSULATION CLASS F