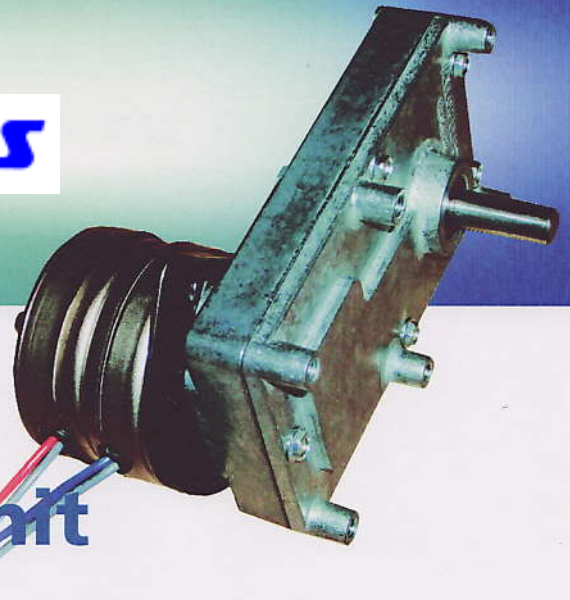


contraves drives

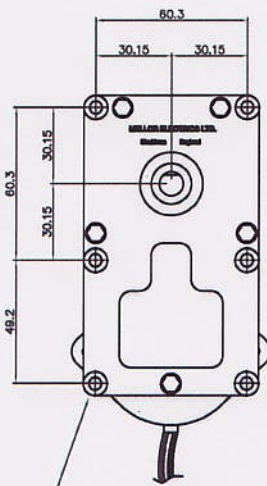


FBSY T3 Series Synchronous AC Unit

- 230v 50Hz AC
- Output Torque: Up to 15Nm depending on speed
- Speed Range: 0.5 - 5.5rpm

Reversible AC motor to suit many applications. Virtually silent running motor to suit noise sensitive environments.

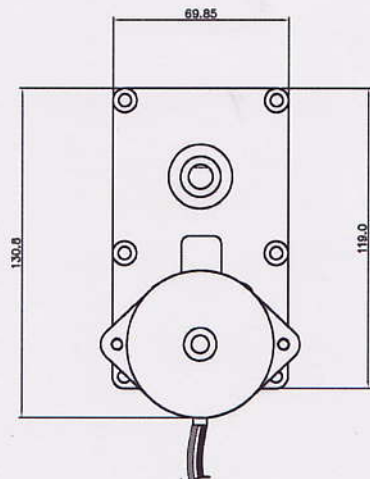
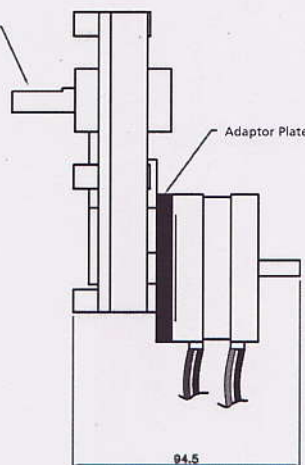
High quality engineering ensures quiet running and a long running life.



6 mounting holes - thread to suit customers requirements

Applicable to all FB models

Shaft Ø and length to suit customers requirements



T3 1.5rpm 230v 50Hz (synchronous)	15 N/M
T3 3rpm 230v 50Hz (synchronous)	8.4 N/M
T3 3.5rpm 230v 50Hz (synchronous)	6.9 N/M
T3 4rpm 230v 50Hz (synchronous)	6.3 N/M

SCHWEIZ

Consysta Automation AG
Pumpwerkstr 23
CH-8105 Regensdorf
Switzerland

Tel +41 (0) 44 840 16 31
Fax +41 (0) 44 840 16 62

info@contraves-drives.com

DEUTSCHLAND / WORLD

Consysta Automation GmbH
Am Sägewerk 23a
D-55124 Mainz-Gonsenheim
Germany

Tel +49 (0) 6131 9469 0
Fax +49 (0) 6131 9469 13

info@contraves-drives.com

contraves drives

TECHNICAL DATA
MOTOR

Motor Type – 230v 50Hz Synchronous AC

Running Current at 230v 50Hz –
0.40 Amps

Stall Current at 230v 50Hz –
0.44 Amps

Input Power at 230v 50Hz –
8.4 Watts

Temp. Rise –
23°C – 63°C / 2Hrs

TECHNICAL DATA
MOTOR GEARBOX

Output Torque at 1.5rpm –
15.2N/m

Output Torque at 2.0rpm –
12.7N/m

Output Torque at 3.0rpm –
8.4N/m

Output Torque at 3.5rpm –
6.9N/m

Output Torque at 4.0rpm –
6.3N/m

